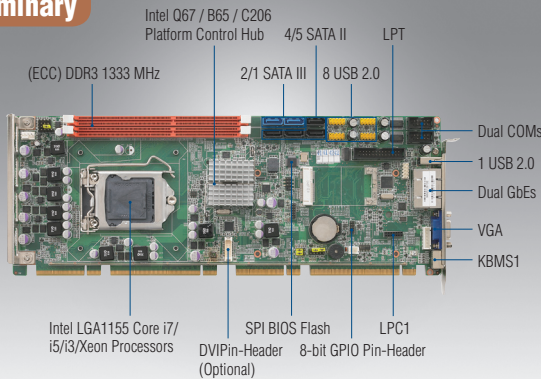


# PCE-5126

LGA1155 Intel® Core i7/i5/i3 SHB with DDR3/Dual GbE/SATA III

## Preliminary



## Features

- LGA 1155 Intel® Core™ i7/i5/i3/Xeon® processors
- Dual Channel (ECC) DDR3 1333 MHz up to 8 GB
- Supports SATA RAID 0, 1, 5, 10, AMT7.0, TPM 1.2 (optional)
- Out-of-band remote management with IPMI (optional by IPMI module)
- Supports embedded software APIs and utilities

### Software APIs:



Watchdog H/W Monitor GPIO

### Utilities:



Monitoring Embedded Security ID eSOS

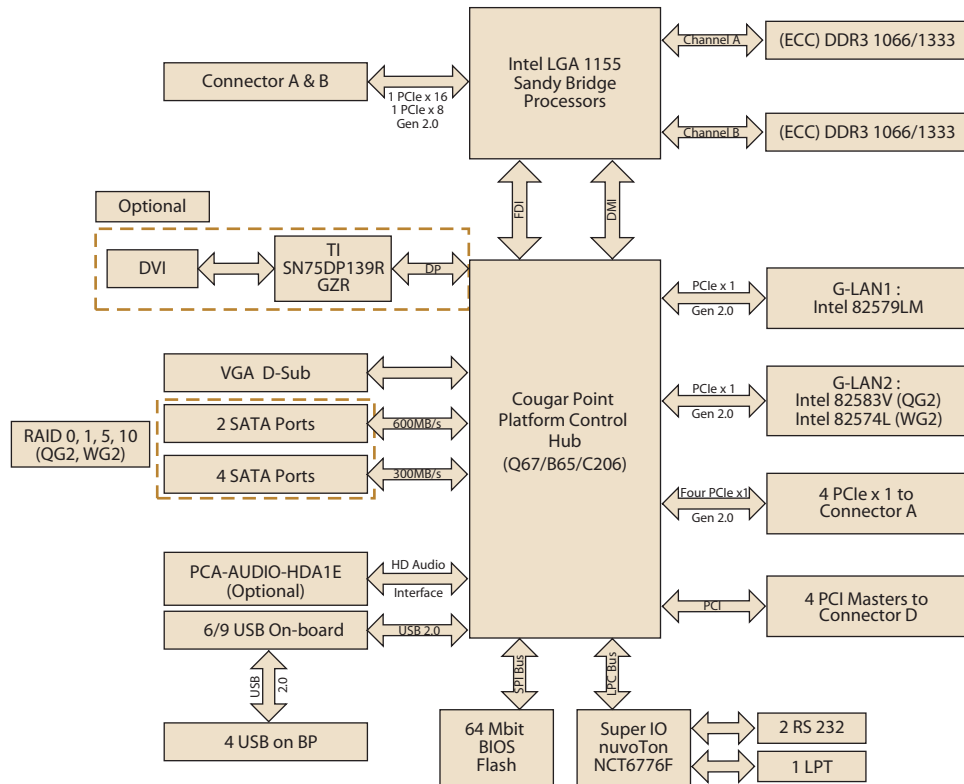
Note: eSOS needs ODM BIOS available by request



## Specifications

Processor System	CPU	Core i7 2600	Xeon E3 1275	Xeon E3 1225	Core i5 2xxx	Core i3 2xxx
	Speed	3.4 GHz	3.4 GHz	3.1 GHz	3.1 GHz	3.3 GHz
	L3 Cache	8 MB	8 MB	6 MB	6 MB	3 MB
	Support Model	QG2/QVG	WG2	WG2	QG2/QVG	QG2/QVG/WG2
	Socket	LGA1155				
	Chipset	Q67 for QG2 version; B65 for QVG version; C206 for WG2 version				
	BIOS	AMI 64 Mbit SPI Flash				
Bus	PCI-Express	One PCIe x16 or two x8, plus four x1 to backplane (Gen 2.0) (Only WG2 version supports two PCIe x8 to support PCE-7XXX backplanes)				
	PCI	Four 32-bit 33 MHz PCI Masters to Backplane				
Memory	Technology	Dual channel (ECC) DDR3 1066/1333 MHz (ECC is only for WG2 version)				
	Max. Cap.	4 GB per DIMM, total 8 GB, non-ECC for QG2 version; ECC for WG2 version				
	Socket	Two 240-pin DDR3 memory sockets				
Graphics	Onboard	Intel HD Graphics				
	VRAM	1 GB maximum shared memory with 2 GB and above system memory installed				
	Video Output	15 pin VGA D-sub connector x1/onboard DVI pin header x 1 (DVI optional)				
Ethernet	Interface	10/100/1000 Mbps				
	Controller	LAN1: Intel 82579LM LAN2: Intel 82583V for QG2 version; Intel 82574L for WG2 version				
	Connector	RJ-45 with LED Connector x 2 for QG2, WG2 versions; RJ45 with LED Connector x 1 for QVG versions				
SATA	Max. Transfer Rate	600 MB/s				
	Channel	2 for QG2, WG2 version; 1 for QVG version				
	Max. Transfer Rate	300 MB/s				
	Channel	4 for QG2, WG2 version; 5 for QVG version				
I/O Interface	RAID	0, 1, 5, 10 for QG2 & WG2 version				
	USB 2.0	9 ports on the SHB for QG2/WG2 version and 6 ports on the SHB for QVG version, 4 ports to the BP				
	Serial	2 RS-232 with pin Headers				
	Parallel	1 (EPP/ECP)				
	PS/2	1 (for mouse and keyboard, a Y cable is included in the package)				
Watchdog Timer	Output	System reset				
	Interval	Programmable, 1~255 sec/min				
Miscellaneous	Audio Output	Intel High Definition audio interface (requires an audio extension module, P/N: PCA-AUDIO-HDA1E)				
	Test Equipment	Intel Core i5 2400 3.1 Ghz; DDR3 2 GB x2				
Power Requirement	Voltage	+12 V	+5 V	+3.3 V	+5 Vsb	-12 V
	Current	5.68A	1.47A	1.57A	0.02A	0.16A
		Operating			Non-Operating	
Environment	Temperature	0 ~ 60° C (32 ~ 140° F) (operating humidity: 40° C @ 85% RH Non-Condensing)			-40 ~ 85° C and 60° C @ 95% RH Non-Condensing	
	Dimensions	338 x 122 mm (13.3" x 4.8")				

## Board Diagram



## Ordering Information

Model Name	Chipset	Memory	Backplane	LAN	iAMT	SATAIII	SW RAID	IPMI Module	USB
PCE-5126QG2-00A1E	Q67	Non-ECC	PCE-5XXX	2 GbE	Yes	2	Yes	None	13
PCE-5126QVG-00A1E	B65	Non-ECC	PCE-5XXX	1 GbE	None	1	None	None	10
PCE-5126WG2-00A1E	C206	ECC/Non-ECC	PCE-5XXX/7XXX	2 GbE	Yes	2	Yes	Optional	13

Note 1: WG2 version supports all Advantech PCE-5XXX/7XXX backplanes except PCE-7B10-04A1E.

## Optional Accessories

Part Number	Description
PCA-AUDIO-HDA1E	Audio extension module
1960047831N001	PCE-5126 Proprietary CPU Cooler

Note: Purchasing PCE-5126's proprietary CPU cooler from Advantech is a must. Other brands' CPU coolers are NOT compatible with PCE-5126.

## Bracket View



PCE-5126QG2-00A1E  
PCE-5126WG2-00A1E



PCE-5126QVG-00A1E

## Packing List

Part Number	Description	Quantity
1700003194	Serial ATA HDD data cable	x 2
1703150102	Serial ATA HDD power cable	x 2
1701260305	COM + printer ports cable kit	x 1
1700060202	Keyboard and mouse Y-cable	x 1
1700008461	4-port USB cable kit	x 1
9689000068	Jumper package	x 1
2190000902	Warranty Card	x 1
2002512610	Startup manual	x 1
2062512600	Utility CD	x 1