

PCA-6011

LGA775 Intel® Core 2 Quad™
CPU Card with VGA/DVI/Dual GbE LAN

Preliminary



Features

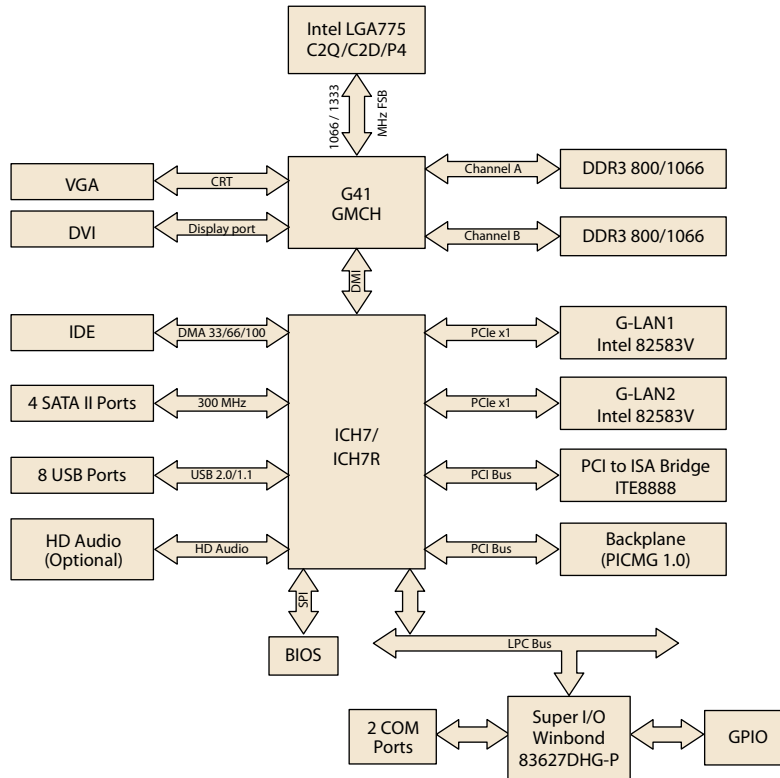
- Compliance with PICMG 1.0
- Supports LGA 775 Intel® Core 2 Quad™ FSB 1333 MHz Processors
- Supports Dual Channel DDR3 1066 SDRAM up to 4 GB
- Dual GbE LAN via two PCIe X1 Lane
- 2 COM Ports, 4 SATA ports, 8 USB ports



Specifications

Processor System	CPU	Core2 Quad	Core2 Duo	Pentium 4	Intel Celeron D 440	
	Max Speed	2.66 GHz	3.33 GHz	3.4 GHz	2.2 GHz	
	L2 Cache	6 M	6 M	2 M	512 KB	
	Chipset	Intel G41 + ICH7/ICH7R (only for G2 sku)				
	BIOS	AMI 16 Mb SPI Flash				
	FSB	800/1066/1333 MHz				
Bus	PCI	32 bit/ 33 MHz PCI				
	ISA	HISA (ISA High Driver)				
Memory	Technology	Dual-channel DDR3 800/1066 MHz DIMMs				
	Max. Cap.	4 GB				
	Socket	240-pin DIMM x 2				
Graphic	Controller	Intel Graphics Media Accelerator X4500				
	VRAM	Shared with 352MB system memory				
	Video Output	15 Pin VGA D-sub Connector x1 / DVI connector x1 (only for G2 SKU)				
Ethernet	Interface	10/100/1000 Mbps				
	Controller	Intel 82583 V				
	Connector	RJ45 with LED Connector x 2				
SATA	Bandwidth	300 MB/s				
	Channel	4 ports				
EIDE	Mode	ATA 100/66/33				
	Channel	1 (Support up to 2 IDE devices; Master device is alternative for CF socket in G2 SKU)				
I/O Interface	USB 2.0	8 ports by pin header(VG SKU); 6 ports by pin header/1 port on bracket I/O (G2 SKU)				
	Serial	2 RS-232				
	Parallel	1 (EPP/ECP/SPP)				
	FDD	1				
	PS/2	1 (for mouse and keyboard, an Y cable is included in the package)				
Watchdog Timer	Output	Interrupt, system reset				
	Interval	Programmable 1-255 sec				
Miscellaneous	Audio Output	Intel High Definition audio interface (requires an audio extension module P/N: PCA-AUDIO-HDA1E)				
Power Requirement	CPU	Configuration1:Core2 Quad Q9400(2.66 G, 94 W) + DDR3 1066 2 G x2				
	Voltage	+12 V	+5 V	+3.3 V	+5 VSB	-12 V -5 V
	Curent	TBD	TBD	TBD	TBD	TBD
Power Requirement	CPU	Configuration2:Core2 Duo E7400(3.33G, 65W) + DDR2 667 2G x2				
	Voltage	+12 V	+5 V	+3.3 V	+5 VSB	-12 V -5 V
	Curent	TBD	TBD	TBD	TBD	TBD
Environment		Operating		Non-Operating		
	Temperature	0 ~ 60° C(32 ~ 140° F), (operating humidity: 40° C @ 85% RH Non-Condensing)		-40° C ~ 85° C and 60° C @ 95% RH Non-Condensing		
Physical	Dimensions	338 mm (L) x 122 mm (W) (13.3" x 4.8")				

Board Diagram



Ordering Information

Part Number	LAN	VGA	COM	SATA	USB	DVI	CF
PCA-6011VG-00A1E	Single GbE	Yes	2	4	8	No (Optional)	No (Optional)
PCA-6011G2-00A1E	Dual GbE	Yes	2	4	7	No (Optional)	No (Optional)

Bracket View



PCA-6011G2-00A1E



PCA-6011VG-00A1E

Accessories

Part Number	Description
1750000332	LGA 775 CPU cooler for 115 W TDP CPUs
PCA-AUDIO-HDA1E	Audio extension module
1701090401	Single COM Cable Kitt

Packing List

Part Number	Description	Quantity
1701400452	IDE HDD cable	x1
1700008461	USB cable with 4 ports	x1
1703150102	Serial ATA HDD power cable	x2
1700060202	Y-cable for PS/2 mouse & keyboard	x1
1701260305	Printer + COM cable	x1
1700003194	Serial ATA HDD data cable	x2
9689000068	Jumper pack	x1
2002721020	User Note for Full-Size CPU Card	x1
-	User Note for LGA775 CPU	x1
-	Warranty Card	x1
-	Startup manual	x1
-	Utility CD	x1