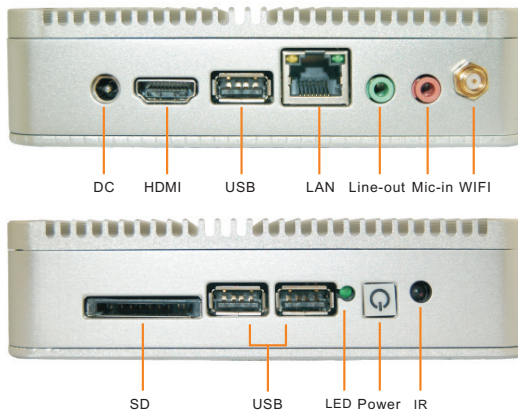


# EPC-5101



## Rear I/O



## Product Features

- Intel ATOM Cedar trail series CPU
- Nm10 chipset
- High definition audio
- High definition 1080P video
- DDR3 SO-DIMM memory, up to 4GB
- SD/MMC/MS/MSpro card
- SSD up to 128GB
- Support IR
- 802.11b/g/n WIFI
- Multi OS and Watch dog monitor function
- 135(L)x128(W)x34(H)mm

## Detail Specification

<b>Product Line</b>	Ultra low power
<b>ID Color</b>	Silvery
<b>Material</b>	Aluminum+Plastics
<b>Motherboard</b>	MM-IC8N100101
<b>Platform</b>	Processor: Intel Cedarview N2800 2C/4T 1.86GHz Intel Cedarview N2600 1.6GHz
<b>Chipset</b>	Intel NM10
<b>GPU</b>	Intel SGX545
<b>Memory</b>	2GB SO-DIMM DDR3
<b>SSD</b>	32G SSD
<b>WIFI/3G</b>	N/A
<b>Front Panel</b>	2xUSB2.0, 1xPower Button, 1xIR Receiver, 1xPower LED, 1xHDD LED
<b>Rear Panel</b>	1xHDMI, 1xLine out, 1xMic-in, 1xUSB2.0, 1xRJ45, 1xDC in
<b>Cardreader</b>	1xSD/MMC/MS pro
<b>Ethernet</b>	Realtek8111E 1000M
<b>BIOS</b>	AMI EFI
<b>Thermal</b>	Fanless
<b>Form Factor</b>	135(L)x128(W)x34(H)mm
<b>Power Supply</b>	DC 12V adapter
<b>Accessory</b>	Manual/CD/AdapterBase(Optional)

Model	Processors
EPC-5101-N2800	Intel® Cedarview N2800 1.86GHz
EPC-5101-D2550	Intel® Cedarview D2550 1.86GHz
EPC-5101-N2600	Intel® Cedarview N2600 1.60GHz